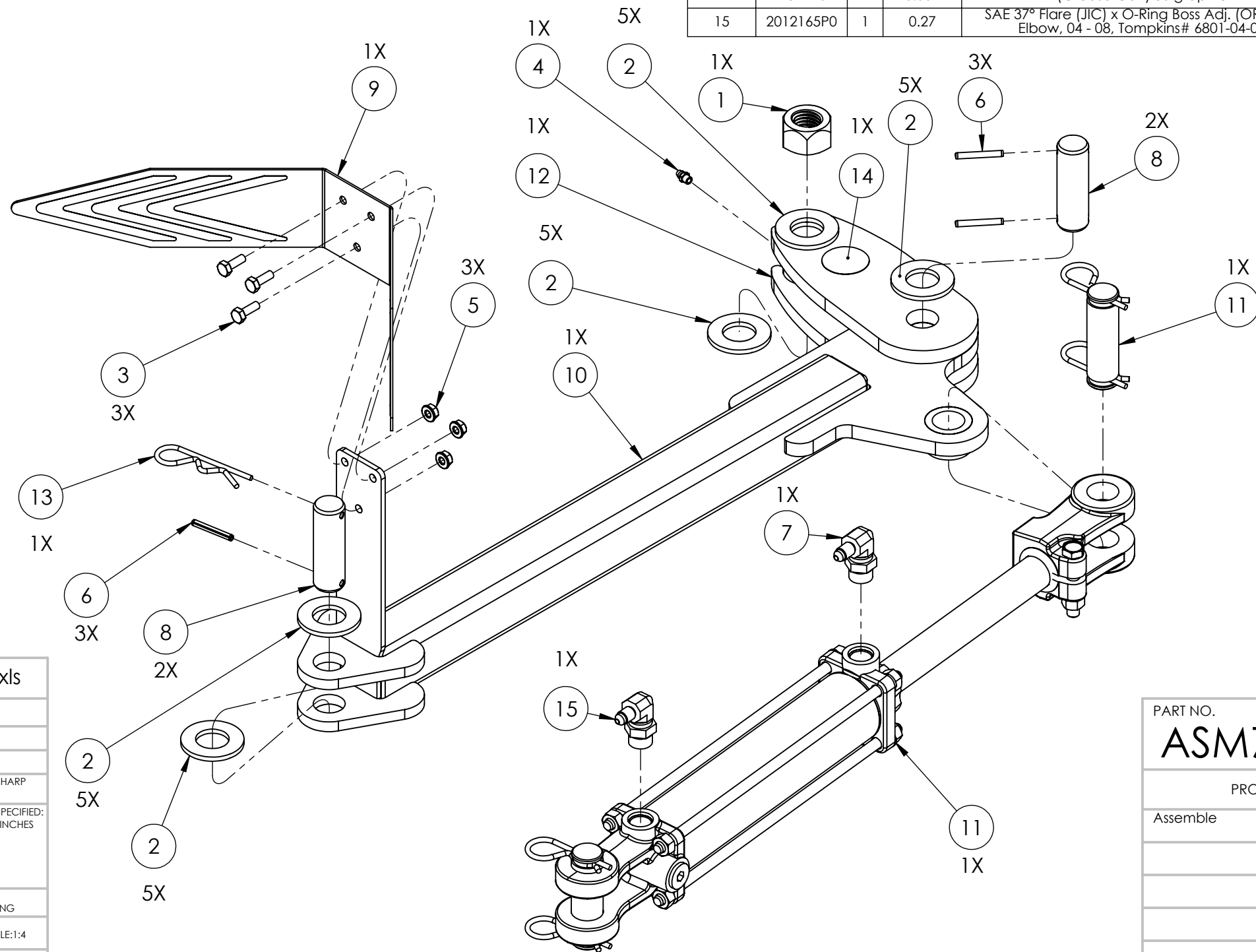


ITEM NO.	PartNo	QTY.	Weight	Description	Material	Length
1	2011190P0	1	0.31	1"-8 Oval Locknut with Conical Top, Cadmium-Plated Grade C Steel, MCM# 92501A462	MCM# 92501A462	
2	2011203P0	5	0.10	1" Gr.8 SAE FW YZP, MCM# 98023A038	MCM# 98023A038	
3	2011205P0	3	0.02	1/4"-20 X 3/4" HHCS Gr. 5 ZP, MCM# 92865A540	MCM# 92865A540	
4	2011216P0	1	0.006	Steel Grease Fitting Straight, 1/4"-28 Taper Male, 33/64" Overall Height, MCM# 1095K41	MCM# 1095K41	
5	2011225P0	3	0.01	1/4"-20 Gr.5 Serrated Flange Lock Nut, MCM# 94831A029	MCM# 94831A029	
6	2012125P0	3	0.008	3/16" x 1-1/2" Zinc-Plated Steel Slotted Spring Pin, MCM# 90692A728	MCM# 90692A728	
7	2012151P1	1	0.28	Restricted, O-Ring Boss (ORB), (adj.) x SAE 37° Flare (JIC) 90° Elbow, 04 - 08, .031 Orifice	Tompkins# RST6801-04-08-.031	
8	2012374C0	2	0.67	1" x 2-3/8" Usable L Yellow Zinc Plated 2-hole pin	BAR-1.0 DIA C1045	3.125
9	ASM941A03	1	1.20	Harrow twist indicator		
10	2012190C4	1	14.885	Actuator mnt swingarm, harw angle offset		
11	2012269P0	1		2" Bore, SAE 8" Stroke, Tie Rod, BLY# 211-302		
12	2012376C2	1	7.344	Short link, harw angle offsetting		
13	2011237P1	1	0.04	.148" x 3-5/16", 3/4" Eye, Fits 3/4"-1-1/8" Shaft, Zinc-Plated Steel Hairpin, MCM# 98335A085	MCM# 98335A085	
14	A321R0	1	0.001	(Grease Gun) 50 graphic	PLASTIC	0.01
15	2012165P0	1	0.27	SAE 37° Flare (JIC) x O-Ring Boss Adj. (ORB) 90° Elbow, 04 - 08, Tompkins# 6801-04-08	Tompkins# 6801-04-08	2



Assembly BOM Link: ( contains prints to constituent part prints ) <b>ASM778A03.xls</b>	
Drawing Name: <b>ASM778A03</b>	REVISION <b>0</b> DATE <b>2/6/2016</b>
A:	DEBUR AND BREAK SHARP EDGES UNLESS OTHERWISE SPECIFIED: DIMENSIONS ARE IN INCHES SURFACE FINISH: TOLERANCES: LINEAR: 1/16" ANGULAR: 2°
B:	
C:	
D:	
E:	
NAME Daniel R. M.	SIGNATURE
DO NOT SCALE DRAWING	
<b>B</b> SCALE:1:4	
SHEET 1 OF 1	

PART NO. <b>ASM778A03</b>	DESCRIPTION: Harrow offsetting package, hydraulic
PROCESSES Assemble	WEIGHT: 43.448lbs
<b>Soil Regeneration Unlimited</b>	
PROPRIETARY AND CONFIDENTIAL THE INFORMATION CONTAINED IN THIS DRAWING IS THE SOLE PROPERTY OF SOIL REGENERATION UNLIMITED. ANY REPRODUCTION IN PART OR AS A WHOLE WITHOUT THE WRITTEN PERMISSION OF SOIL REGENERATION UNLIMITED IS PROHIBITED.	